

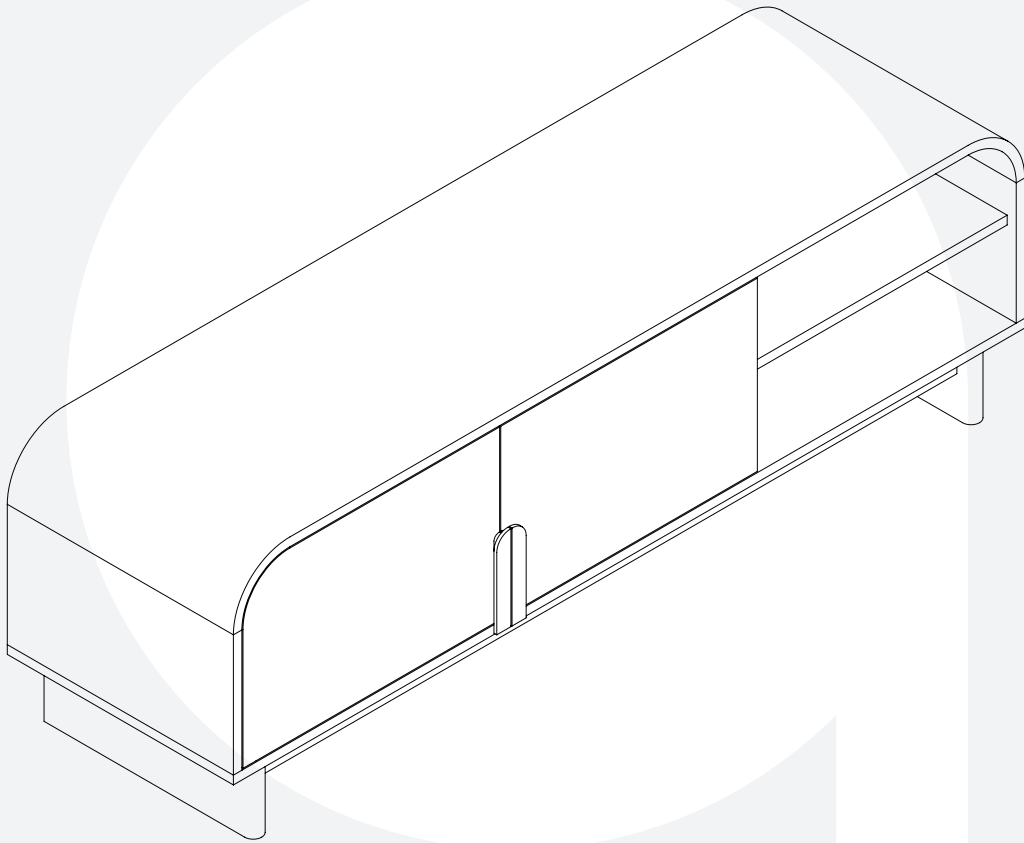


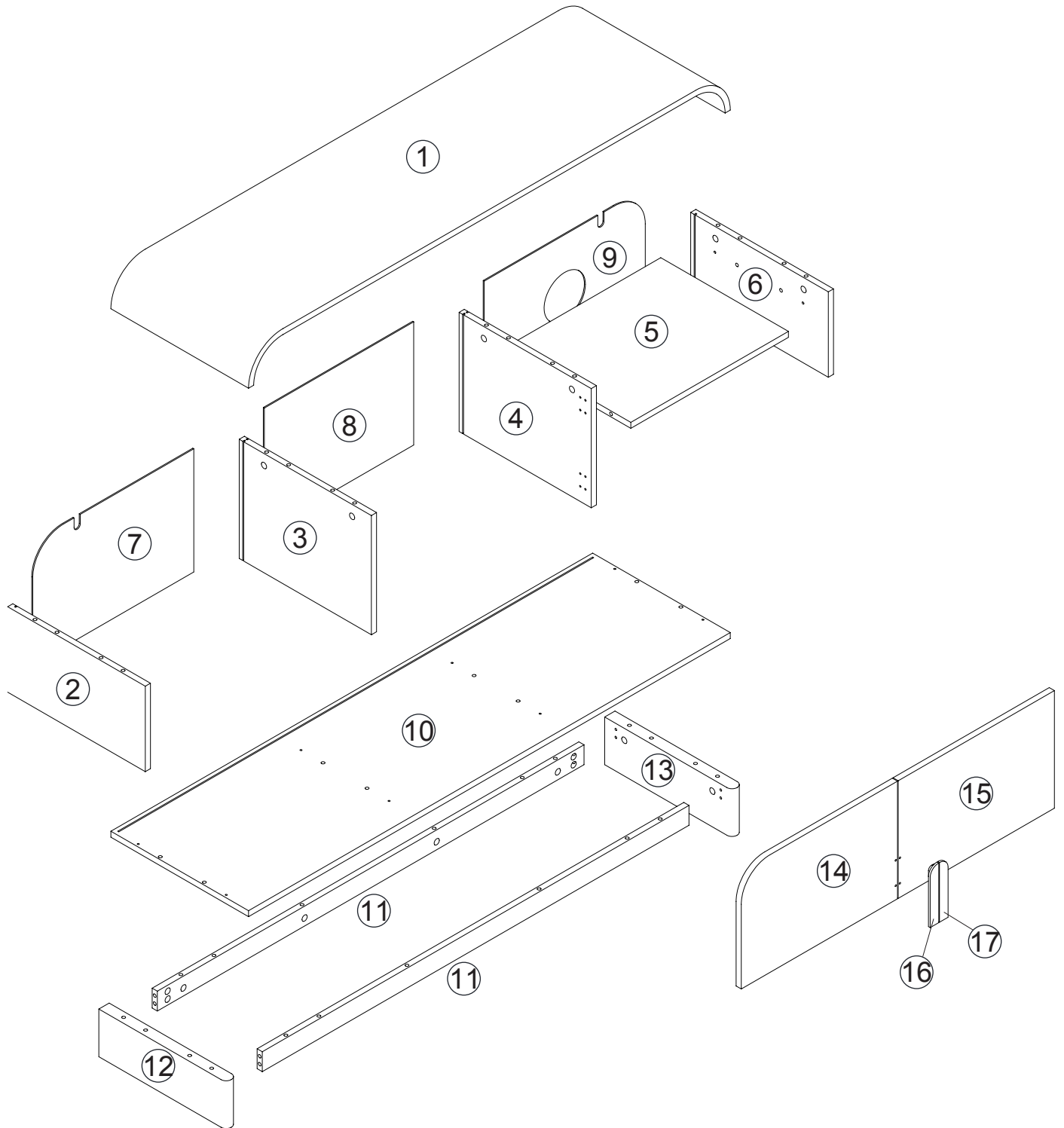
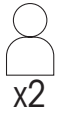
atmosphera®
Créateur d'intérieur

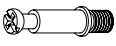

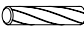
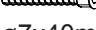

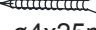


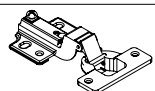
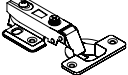




LEE

MEUBLE TV | TV UNIT | MÓVEL DE TV | MUEBLE DE TV
TV-MÖBEL | TV-MEUBEL | MOBILE TV | MEBEL NA TELEWIZOR

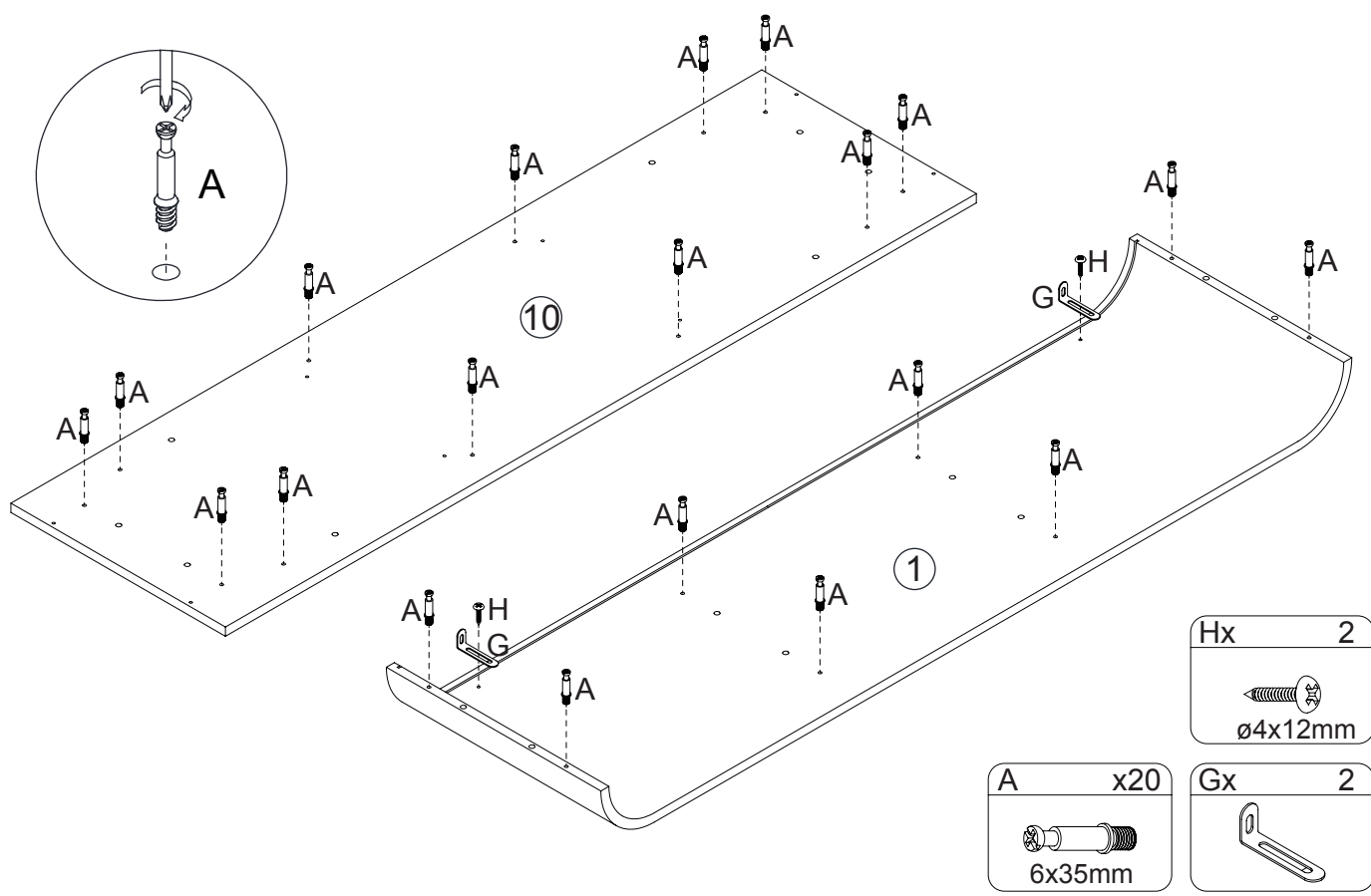
REF : 206086



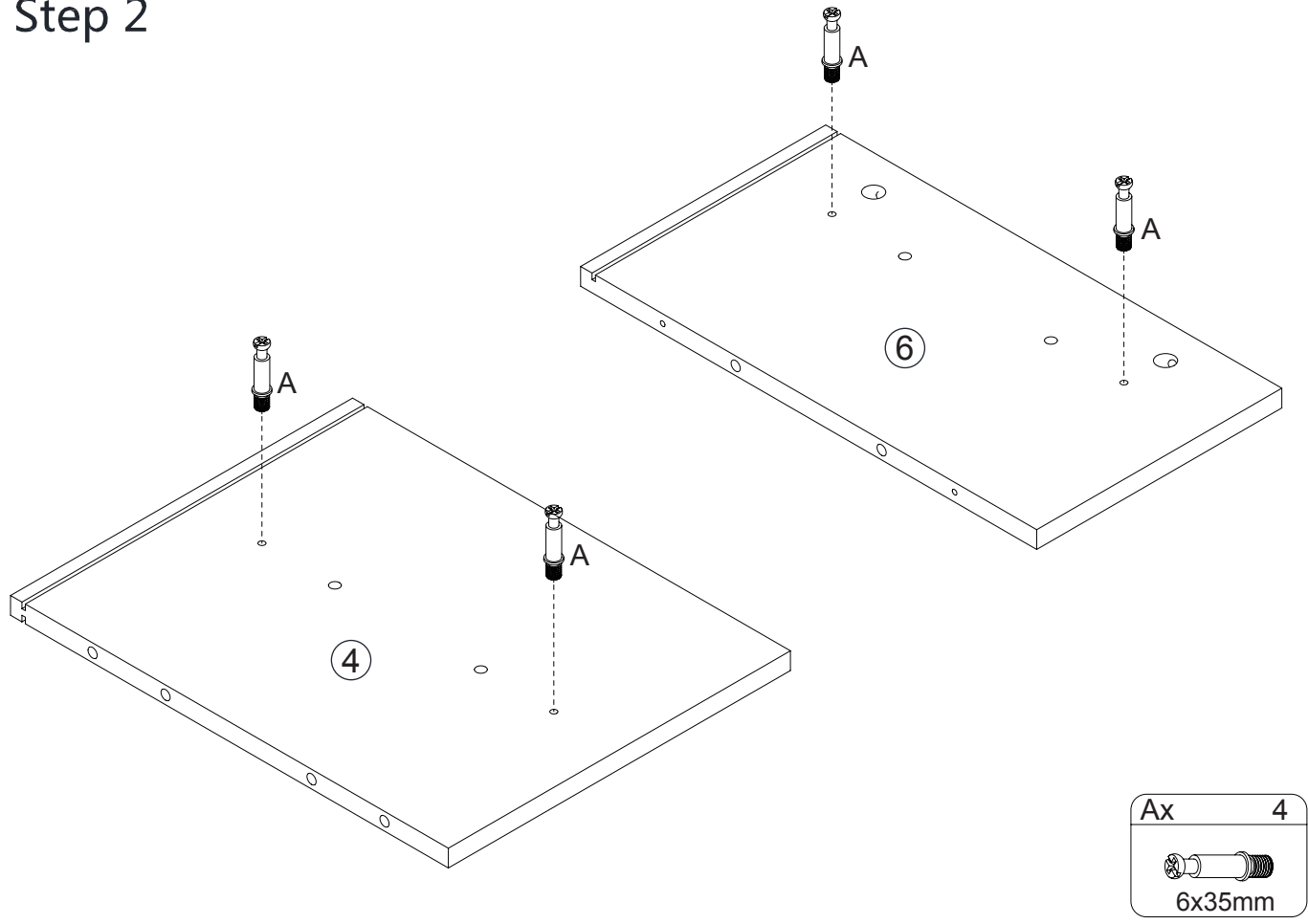


| | | | | | | |
|--------------------------------------------------------------------------------------------------------|--------------------------------------------------------------------------------------------------------|--------------------------------------------------------------------------------------------------------|--------------------------------------------------------------------------------------------------------|-----------------------------------------------------------------------------------------------------------|-----------------------------------------------------------------------------------------------------------|-----------------------------------------------------------------------------------------------|
| A x32  6X35mm | B x32  15X9mm | C x28  8X30mm | Dx 8  ø7x40mm | E x24  ø4 x14mm | Fx 4  ø4x25mm | Gx 2  |
| Hx 2  ø4x12mm | Ix 2  | Jx 2  | K x12  | Lx 1  | M x12  ø3x16mm | Nx 4  |

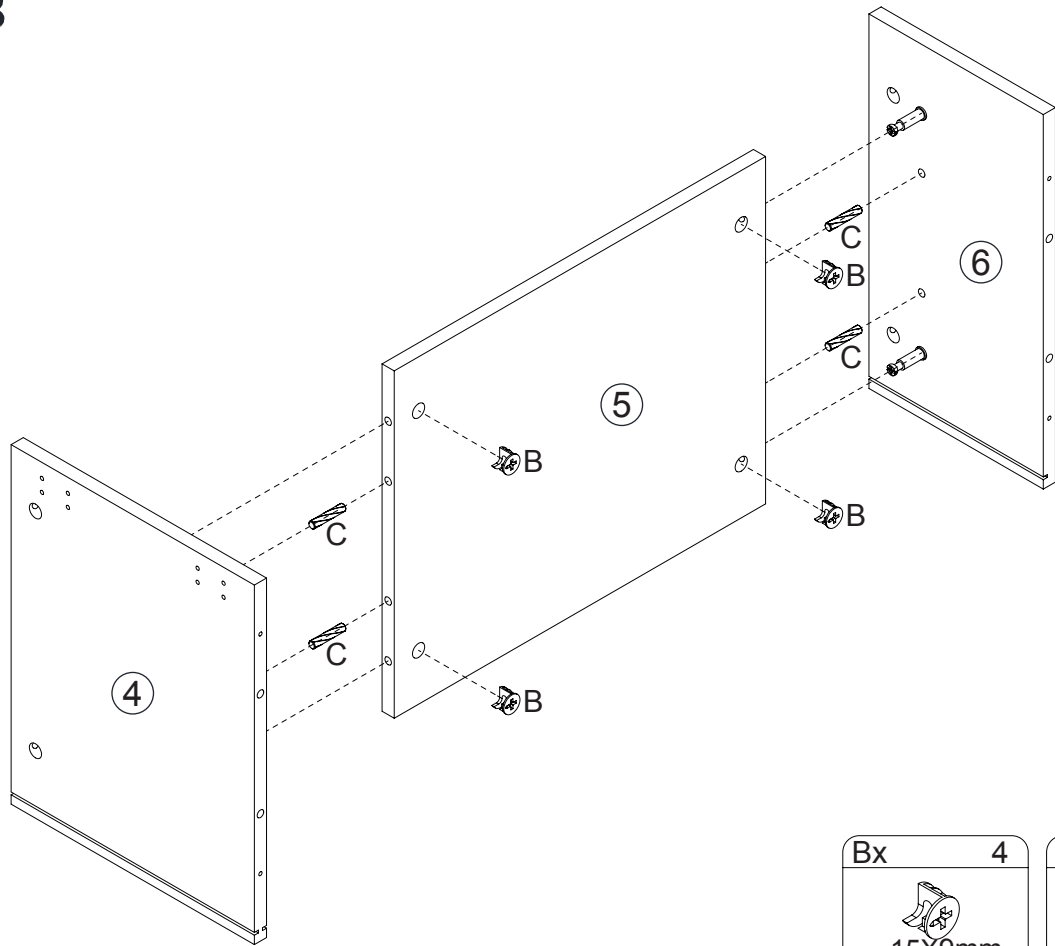
Step 1


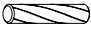


Step 2

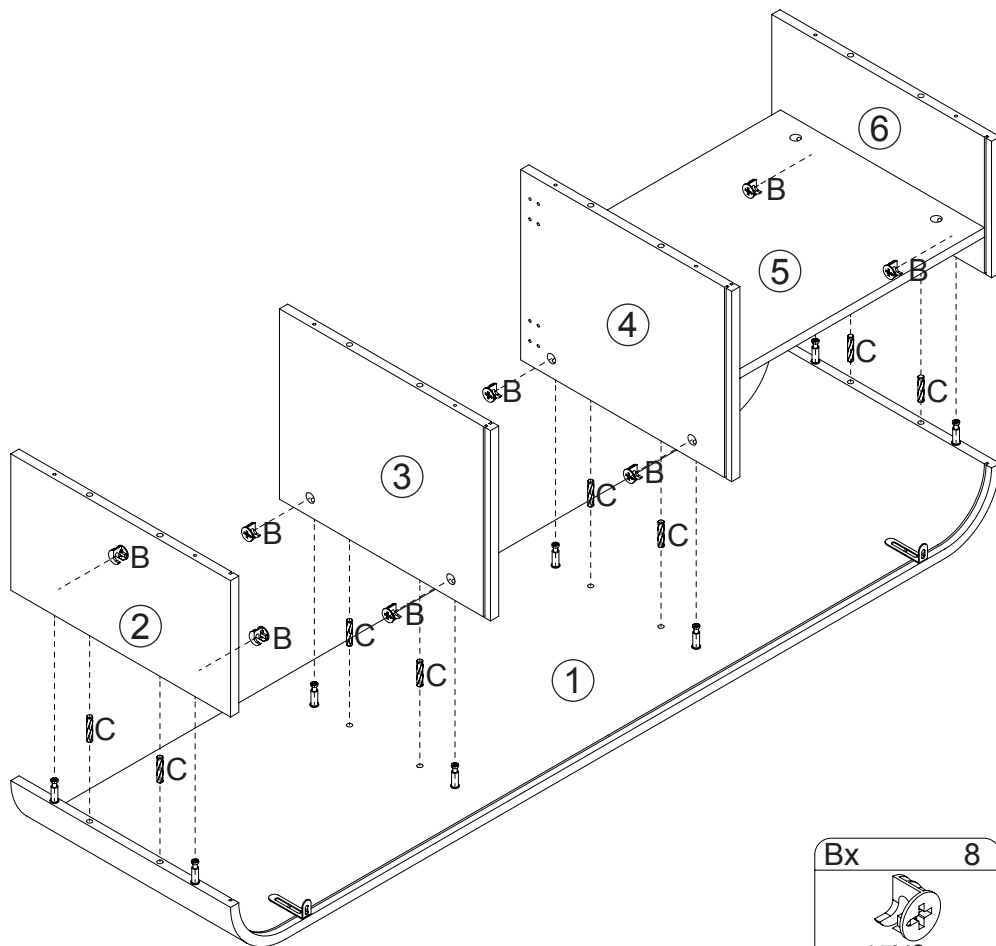




Step 3



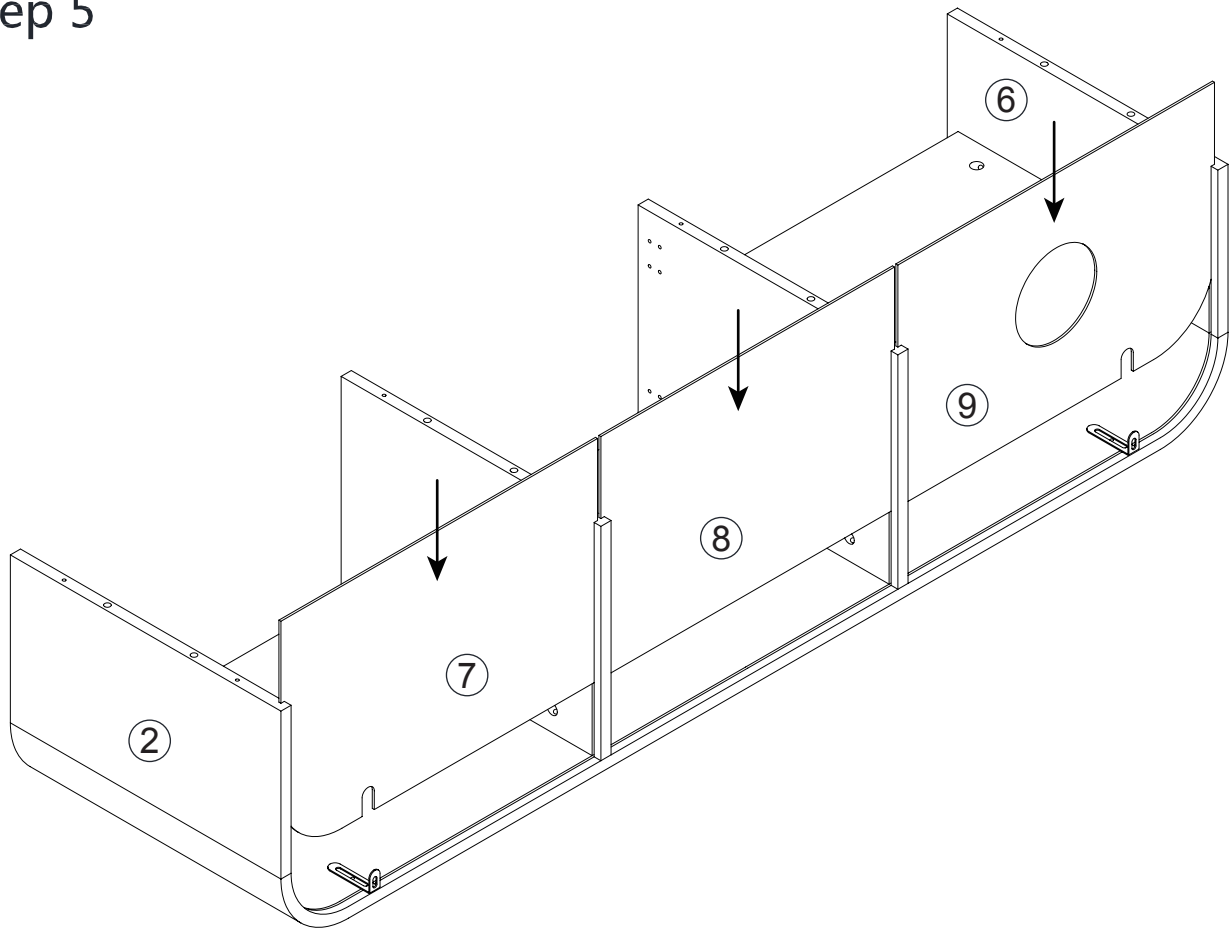
| | | | |
|---------------------------------------------------------------------------------------|---|---------------------------------------------------------------------------------------|---|
| Bx | 4 | Cx | 4 |
|  | |  | |
| 15X9mm | | 8X30mm | |

Step 4

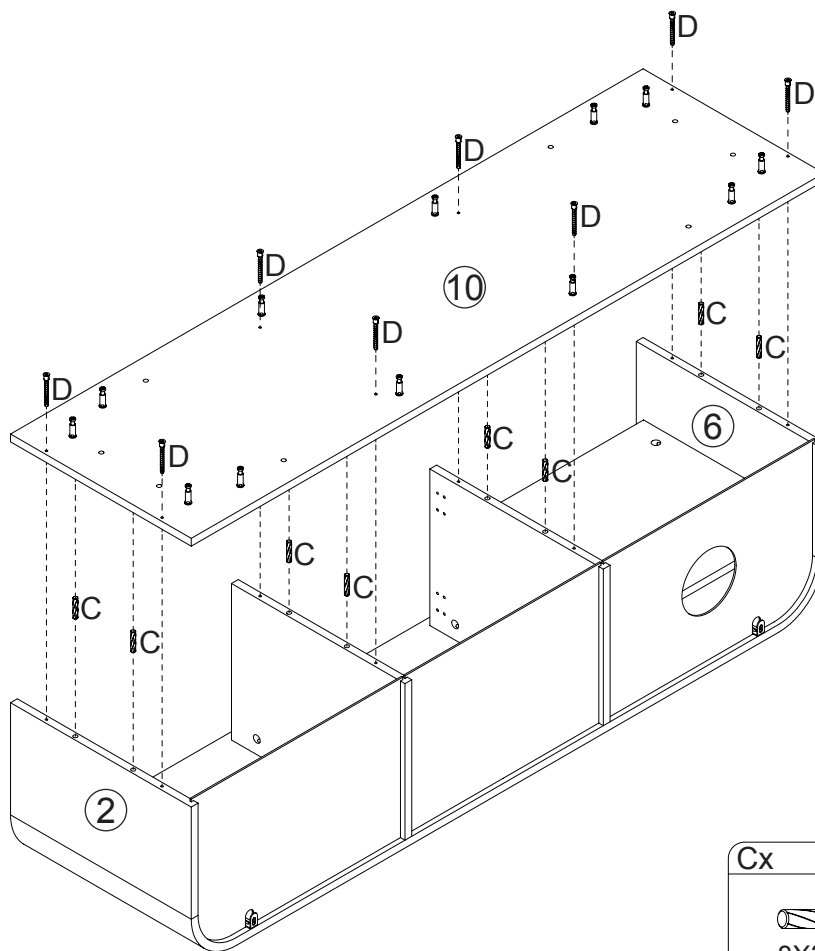


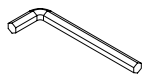
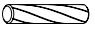
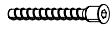
| | | | |
|---------------------------------------------------------------------------------------|---|---------------------------------------------------------------------------------------|---|
| Bx | 8 | Cx | 8 |
|  | |  | |
| 15X9mm | | 8X30mm | |

Step 5

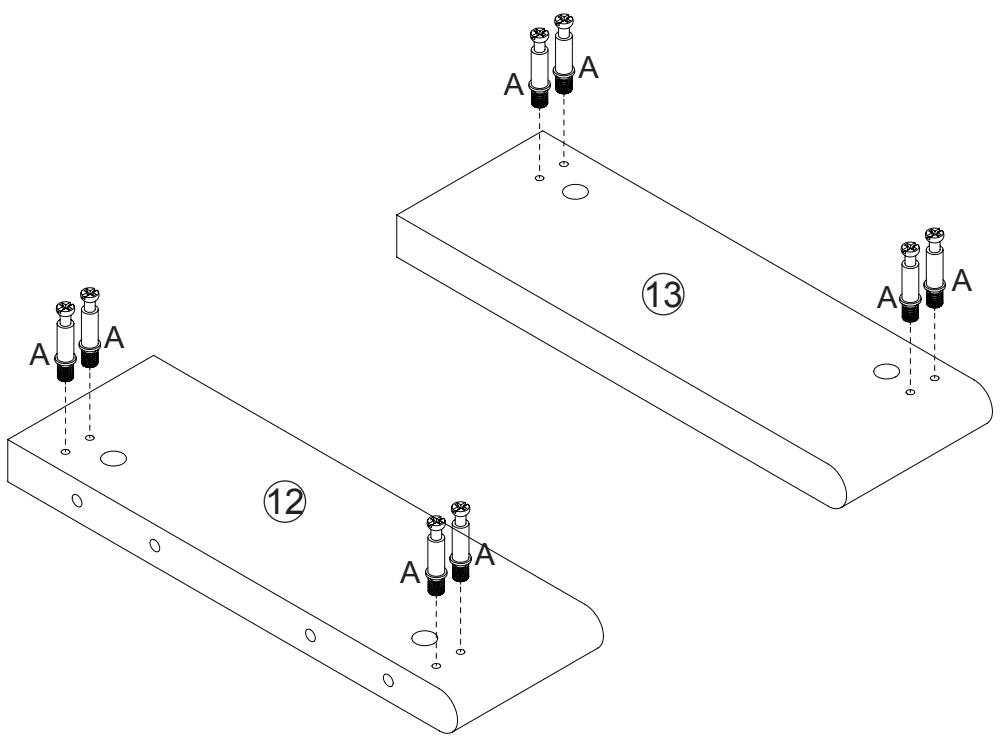


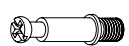
Step 6



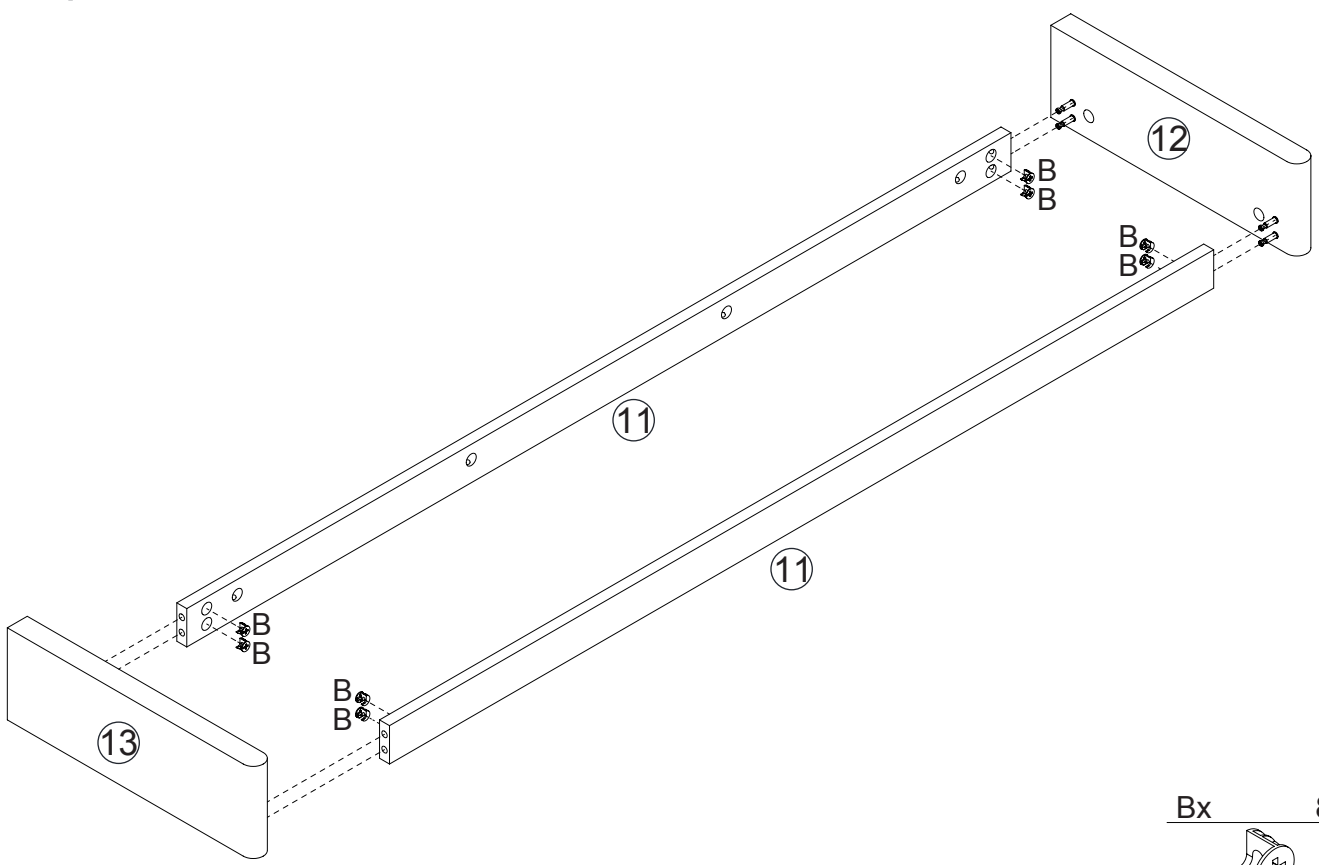
| | |
|---------------------------------------------------------------------------------------|---------|
| Lx | 1 |
|  | |
| Cx | 8 |
|  | 8X30mm |
| Dx | 8 |
|  | ø7x40mm |

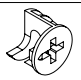
Step 7



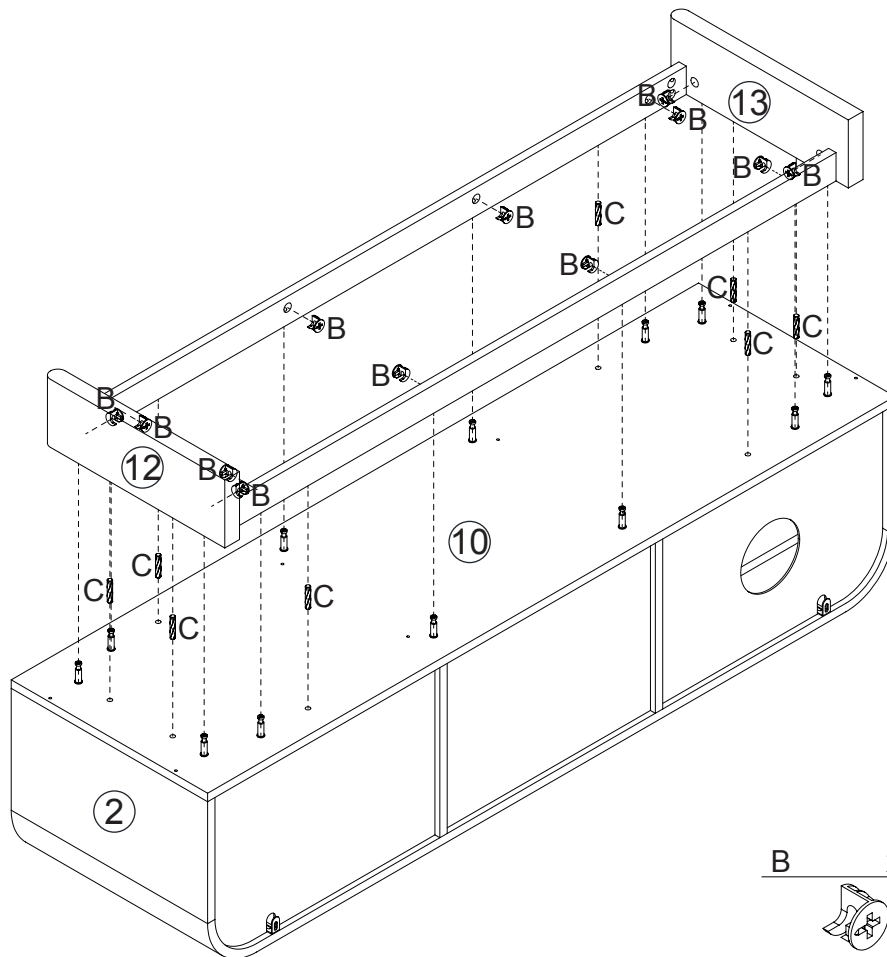
| | |
|---------------------------------------------------------------------------------------|---|
| Ax | 8 |
|  | |
| 6x35mm | |

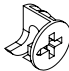
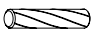
Step 8



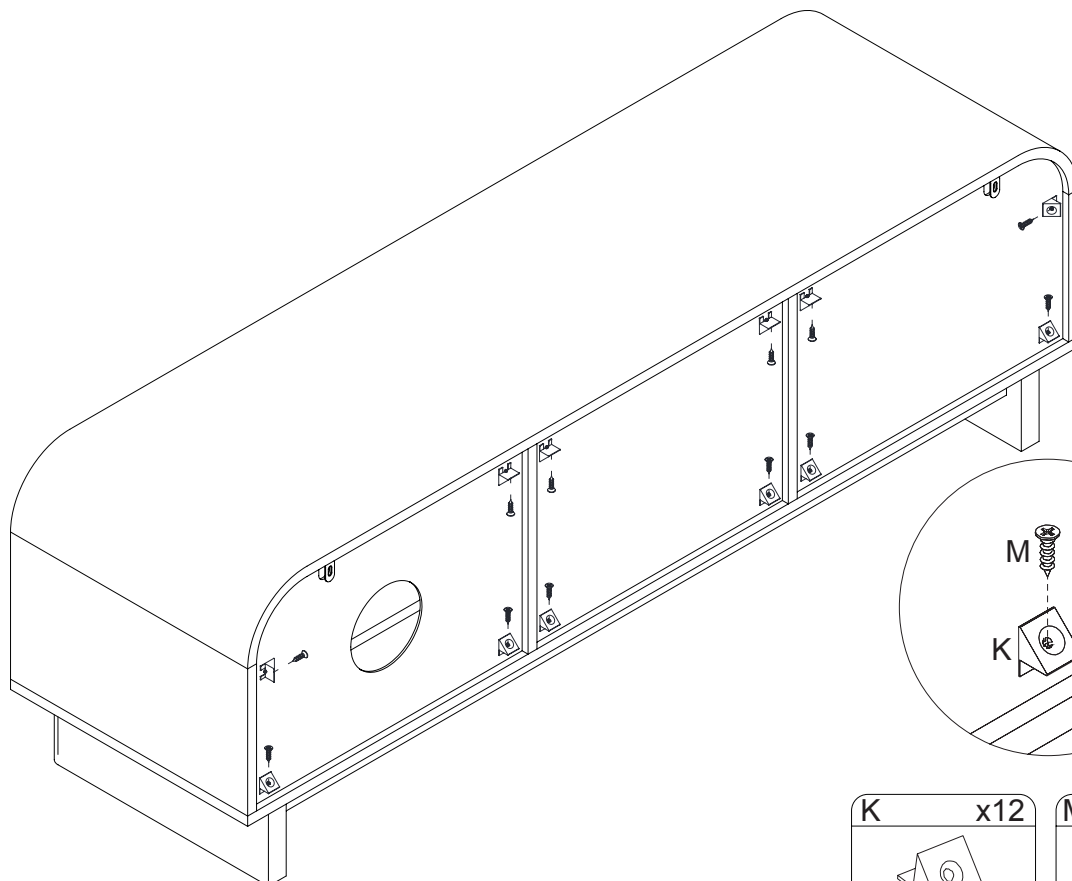
| | |
|---------------------------------------------------------------------------------------|---|
| Bx | 8 |
|  | |


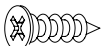
Step 9



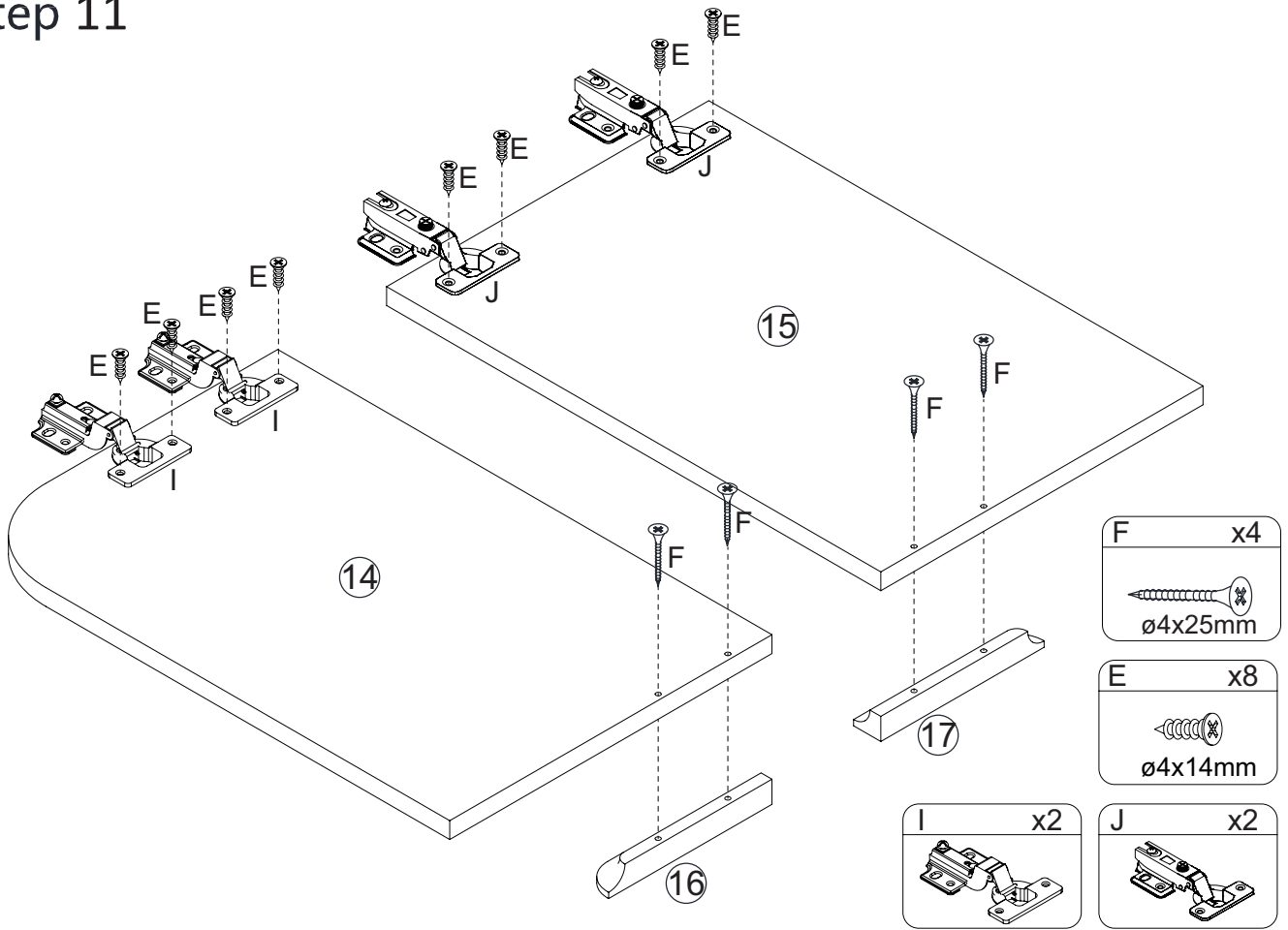
| | | | |
|---------------------------------------------------------------------------------------|-----|---------------------------------------------------------------------------------------|---|
| B | x12 | Cx | 8 |
|  | |  | |

Step 10

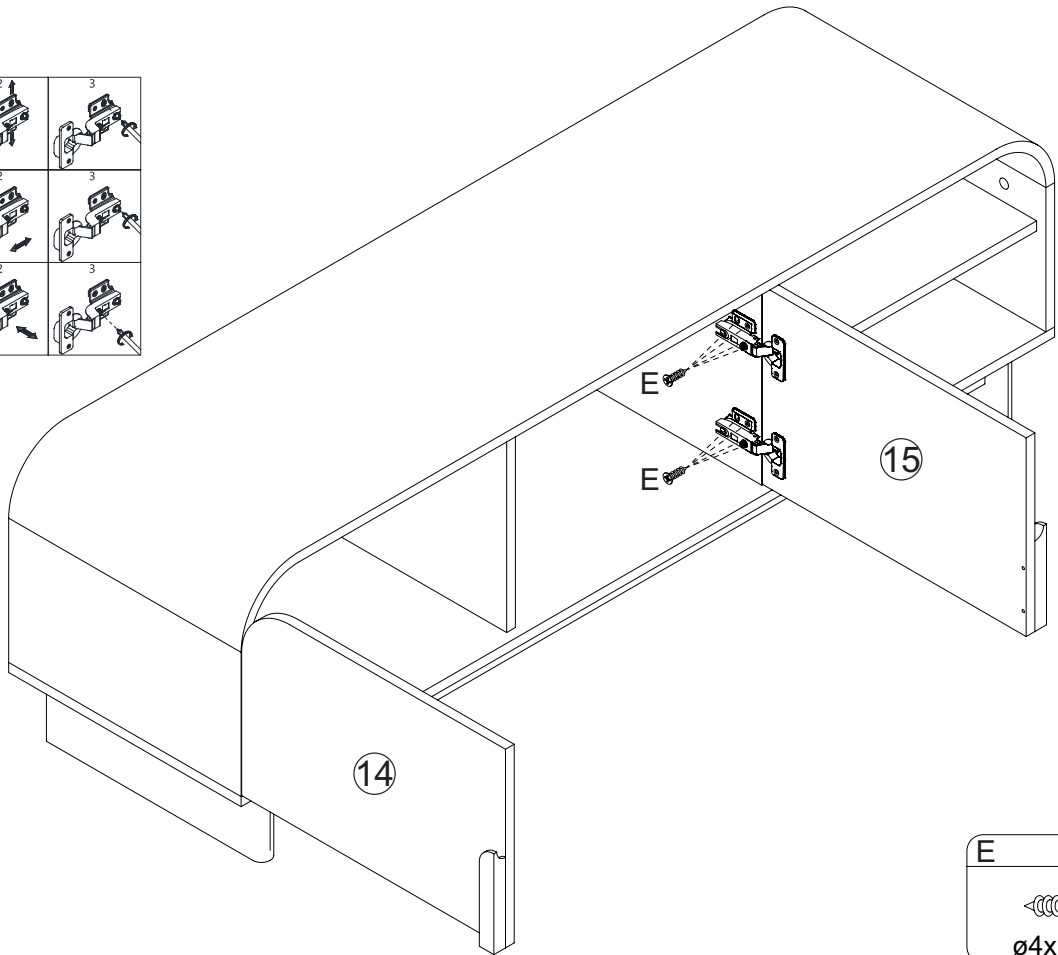
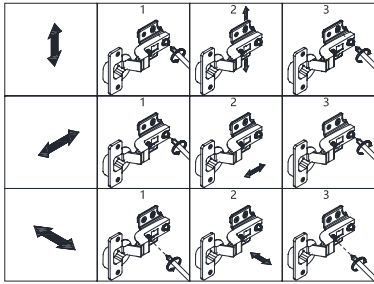


| | | | |
|---------------------------------------------------------------------------------------|-----|--------------------------------------------------------------------------------------------------|-----|
| K | x12 | M | x12 |
|  | |  ø3x16mm | |

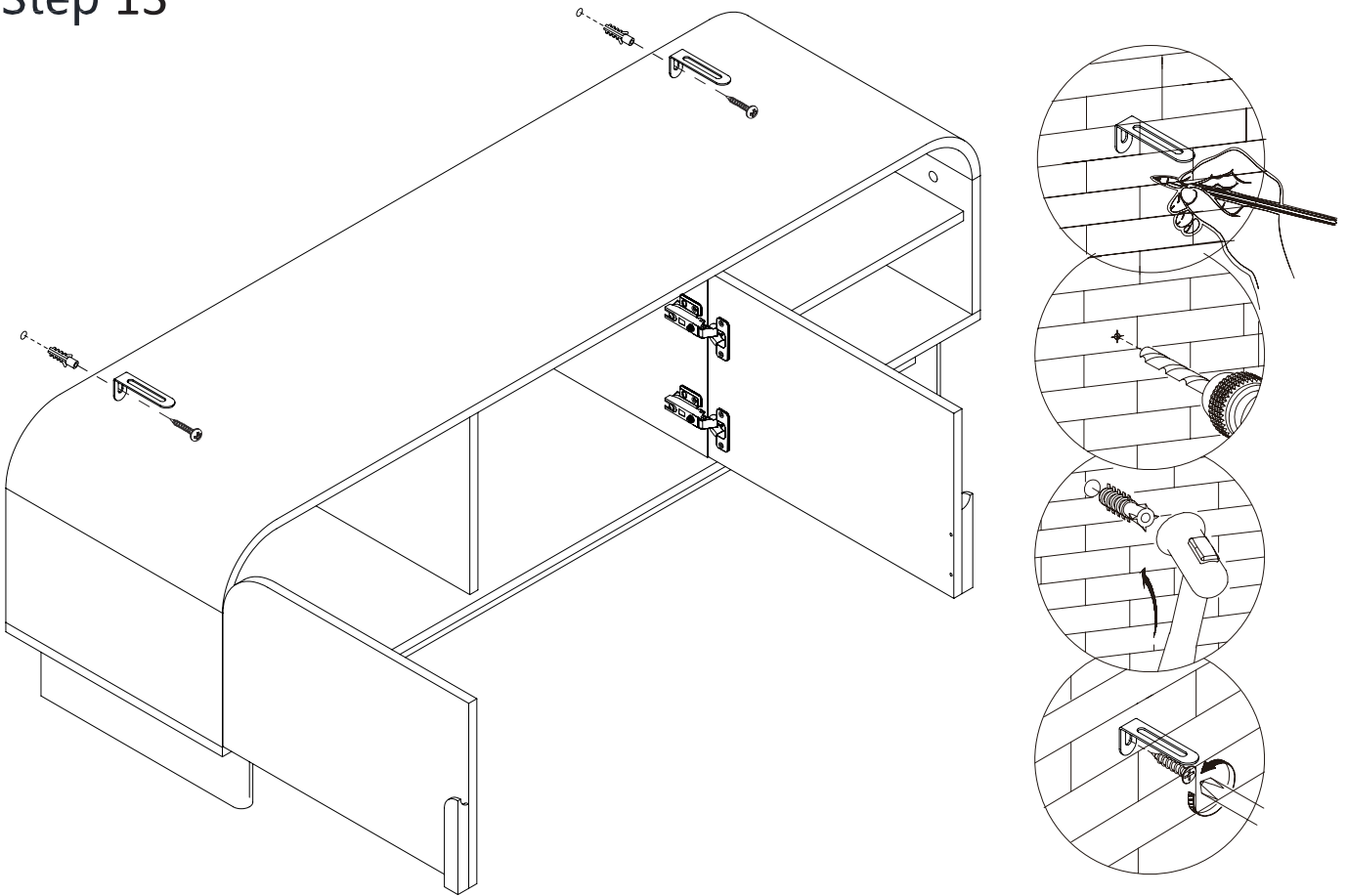
Step 11



Step 12



Step 13



FR
Donnez ou recyclez vos meubles.

Association **ou** Magasin **ou** Déchèterie

<https://quefairedemesdechets.fr>